



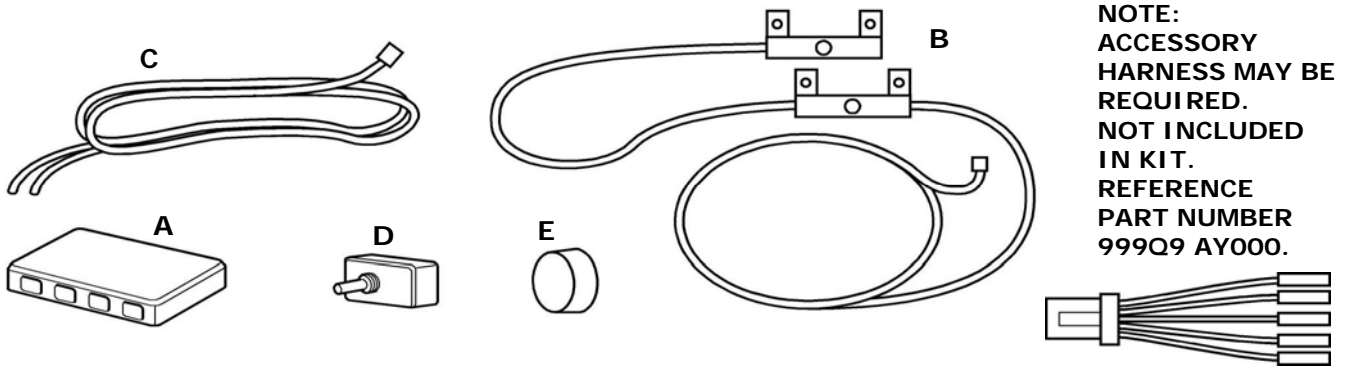
## GENUINE PARTS

### INSTALLATION INSTRUCTIONS

1. **DESCRIPTION:** Accent light Kit
2. **APPLICATION:** Pathfinder
3. **PART NUMBER:** 999F3 XZ000 - Accent Lighting Kit.

4. **KIT CONTENTS:**

Item	QTY	Description	Service Part Number
A	1	Control module	999F3 VZ000
B	1	LED Lamp and harness assembly	999F3 UZ010
C	1	Vehicle Interface Harness	999F3 AW050
D	1	Encoder Switch	999F3 AW006
E	1	Encoder Knob	999F3 AW002
F	1	Miscellaneous Parts Kit	999F3 XZ100



5. **TOOLS REQUIRED**

- Trim stick
- Needle nose pliers
- #2 Phillips screwdriver
- Drill Motor
- 3/16" and 5/16" drill bits
- Electrical tape, masking tape.
- Scissors
- Protective cloth

6. **PRE-INSTALLATION CAUTION/NOTES**

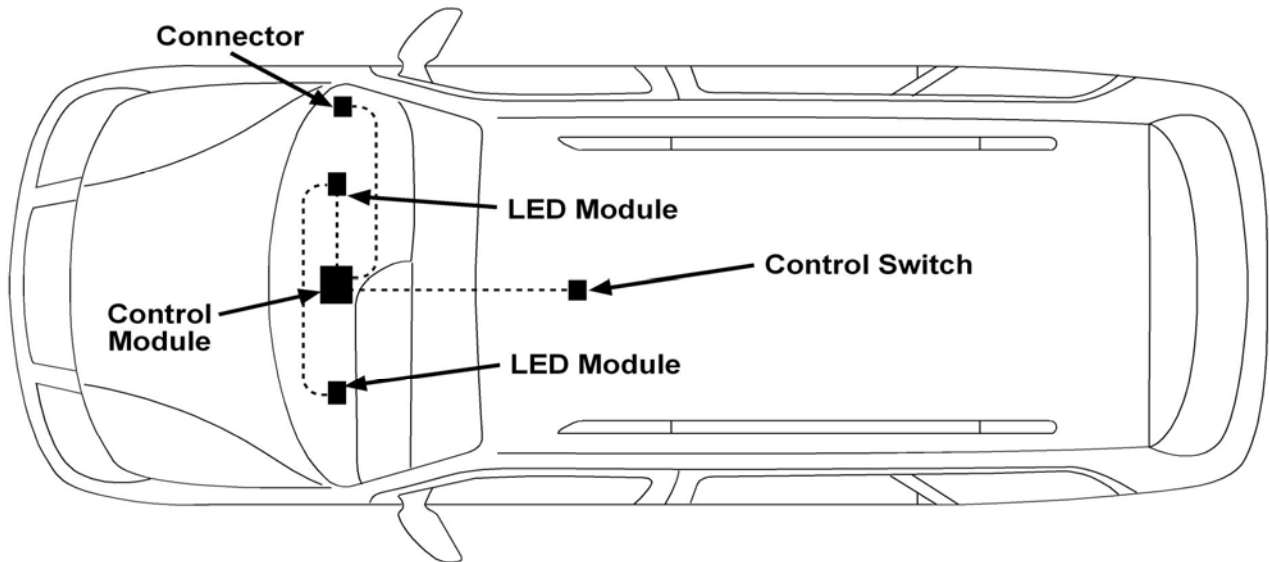
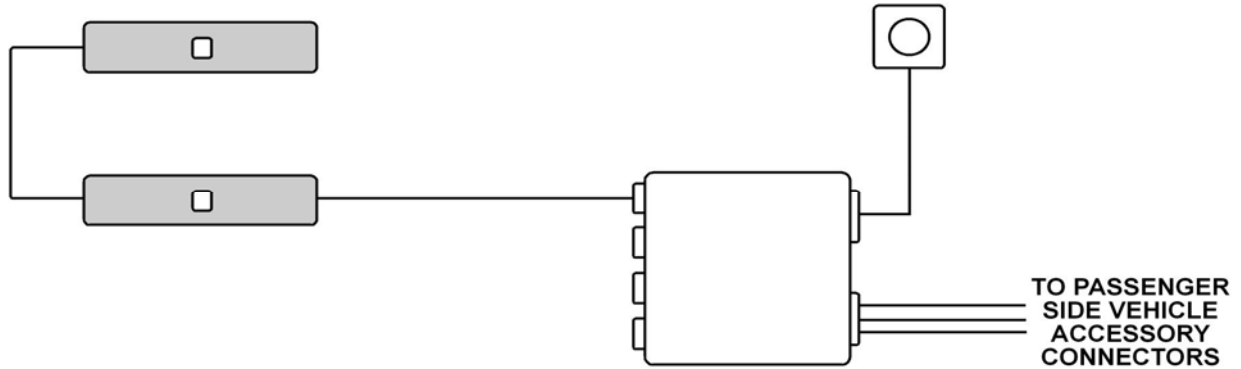
- Dealer installation recommended. Instructions may refer to Service Manual
- Installation may require special tools
- This part is to be installed within a surface temperature range of 65-100°F

### CAUTION

- This accessory must only be installed as specified in these instructions.
- Ensure at all times that parts are securely fitted and will not compromise the safe function of vehicle systems.

# INSTALLATION INSTRUCTIONS - Accent lighting Kit

## 7. INSTALLATION OVERVIEW



## 8. CRITICAL STEPS

The following steps are critical and must be performed **EXACTLY** as specified to ensure proper installation:

- Location of the lights must be followed exactly as described in this instruction.
- Posi-Tap™ instructions must be specifically followed as described.

# INSTALLATION INSTRUCTIONS - Accent Lighting Kit

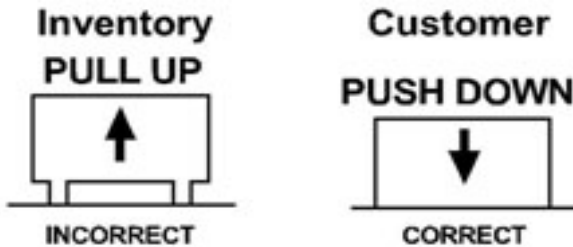
## 9. VEHICLE PREPARATION

- 1) Apply parking brake
- 2) Confirm the vehicle is no longer in the default shipping state (Extended Storage Switch Pulled Up and BCM in Transit Mode). Failure to confirm the vehicle has been removed from this state will result in the loss of normal vehicle operation.

3a) Locate the Extended Storage Switch in the cabin fuse block. Once located, check that it is in the "Customer" position. See below for reference.

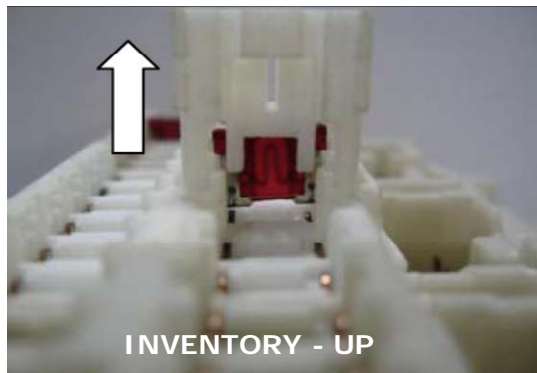
3b) **To remove transit mode:**

1. Remove fuse cover lid
2. Push down shorting pin
3. Ign On 2 times without turning vehicle on



**To return to transit mode:**

1. Ign Off
2. Remove fuse cover lid
3. Pull up shorting pin
4. Assemble fuse cover lid
5. Ign On 2 times without turning vehicle on
6. Confirm transit mode condition on meter



**NOTE: Typical vehicle condition shown here. Switch is easily identifiable by the permanent, push-pull fuse holder. Actual position on the fuse block may vary, vehicle to vehicle.**

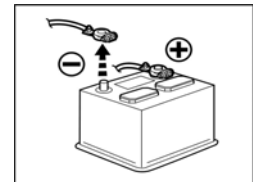
4) Record customer radio presets.

	1	2	3	4	5
A					
B					
C					

**NOTE: USE CAUTION WHEN REMOVING / RE-INSTALLING TRIM COMPONENTS TO AVOID DAMAGE, SCRATCHES, BREAKING OF CLIPS AND / OR INTERIOR TRIM PANELS. MOVE ALL TRIM COMPONENTS TO A PROTECTED AREA.**

## ⚠ WARNING

**Turn ignition switch to "ACC" position and move shift lever to full back (L) position. Disconnect negative battery terminal before proceeding.**

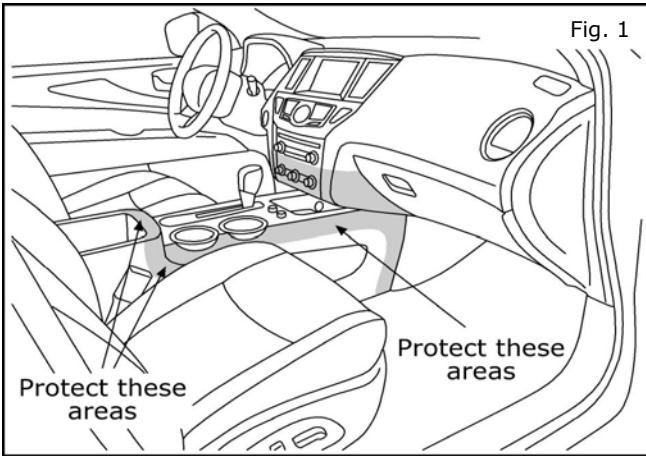


## 10. Order of Installation

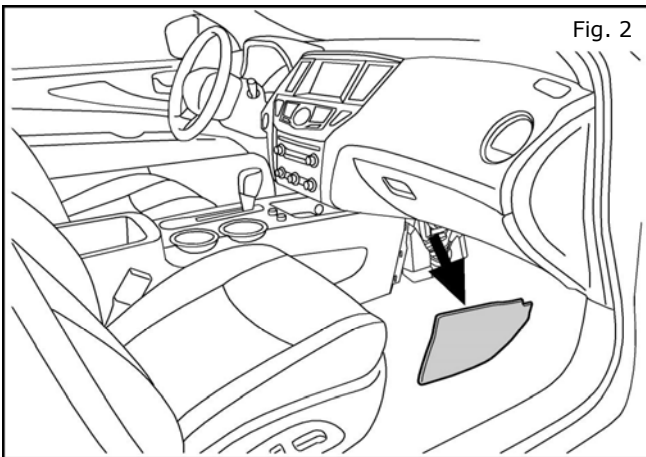
- |   |   |
|---|---|
| <ol style="list-style-type: none"> <li>a. Interior preparation - remove panels.</li> <li>b. Install - Passenger Footwell light.</li> <li>c. Install - Driver Footwell light.</li> </ol> | <ol style="list-style-type: none"> <li>d. Install - Vehicle interface.</li> <li>e. System check.</li> <li>f. Reinstall - Panels.</li> </ol> |
|---|---|

# INSTALLATION INSTRUCTIONS - Accent Lighting Kit

## 11. INTERIOR PREPARATION

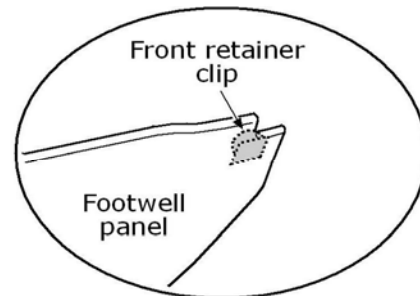


1. **CAUTION: BE SURE TO PREP INTERIOR SURFACES WITH PROTECTIVE CLOTH OR LOW TACK MASKING TAPE TO PREVENT ANY SCRATCHING OR BLEMISHES TO THE INTERIOR**

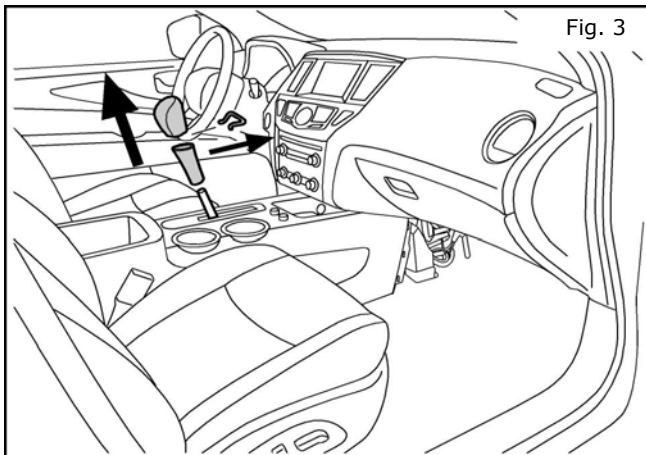


2. Carefully pry out center footwell panel from the passenger side of the center stack.

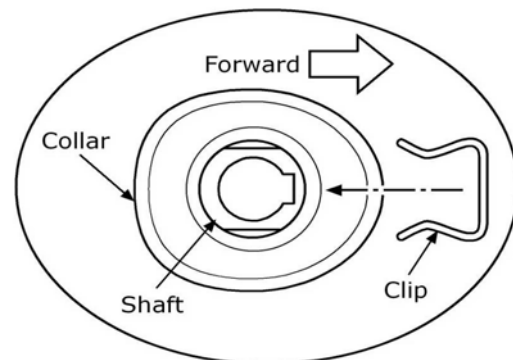
**NOTE: Be sure the front retainer clip stays with the panel.**



**NOTE: Be sure shift lever has been moved to full back (L) position).**

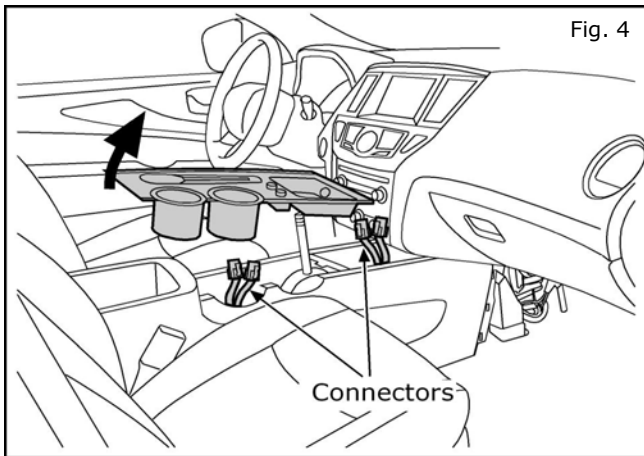


3. Use a pry tool to remove the bottom finisher from the shift knob and remove the retaining clip. Carefully remove shift knob and bottom finisher.



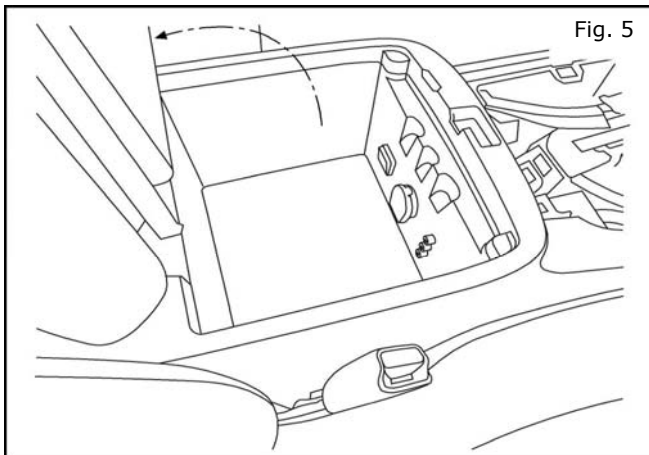
# INSTALLATION INSTRUCTIONS - Accent Lighting Kit

## 11. INTERIOR PREPARATION

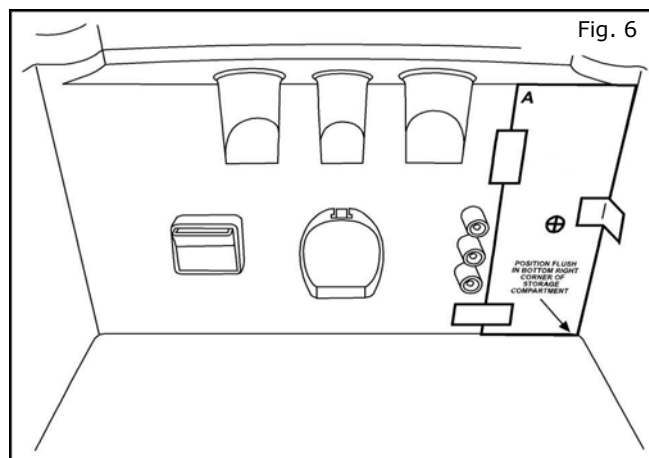


4. Carefully pry out shifter trim panel from the center stack. Disconnect all electrical connections and set trim panel aside.

## 12. INSTALLATION



5. Open the center armrest storage compartment.

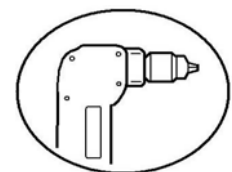


**NOTE: Print template at actual size.**

6. Apply template "A" to the armrest compartment as shown. The template should be positioned with the letter "A" in the upper left hand corner.

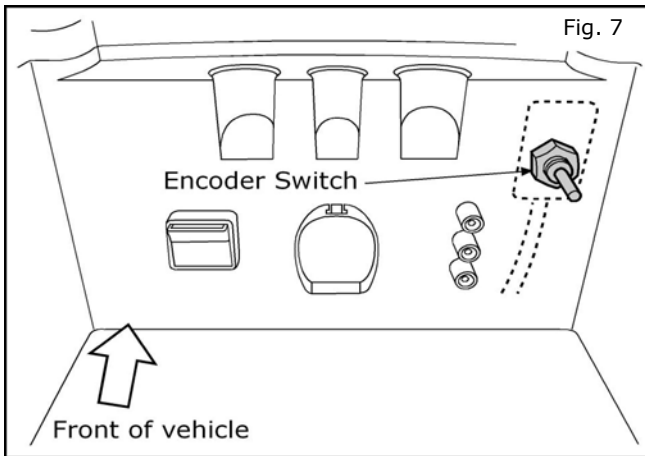
Using a 5/16" drill bit and a right angle drill motor, carefully drill a hole for the encoder.

**Note: Deburr hole after drilling.  
Be sure to clean up compartment after drilling.**



# INSTALLATION INSTRUCTIONS - Accent Lighting Kit

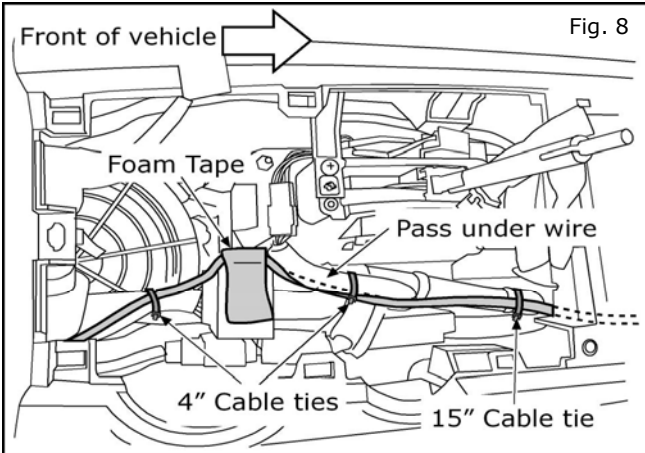
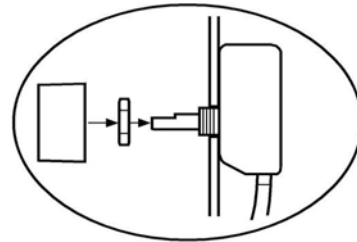
## 12. INSTALLATION



7. **Install** the encoder so that the shaft is inside the front of the center console.

Use 11mm nut to secure the encoder.

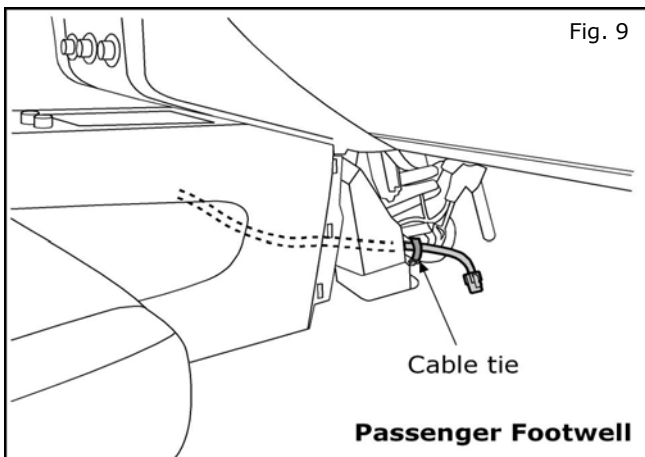
Install control knob over shaft of encoder.



8. Route encoder wiring harness through the center console and up towards the center stack. Secure with two (2) 4" cable ties, one (1) 15" cable tie and foam tape as shown.

Ideal cable tie spacing is 100mm to 120mm.

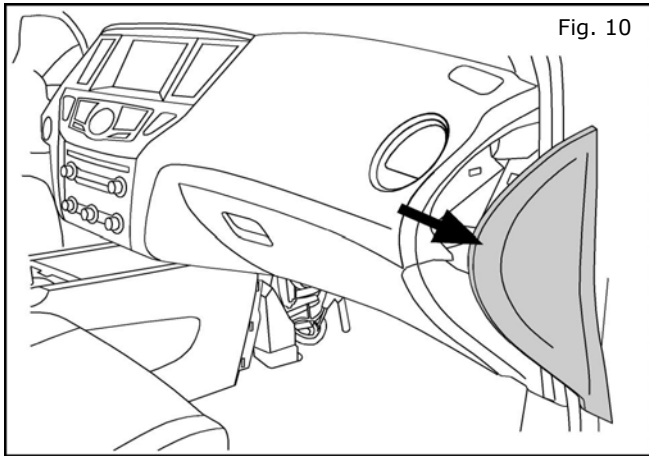
**NOTE: Trim all cable ties before you continue.**



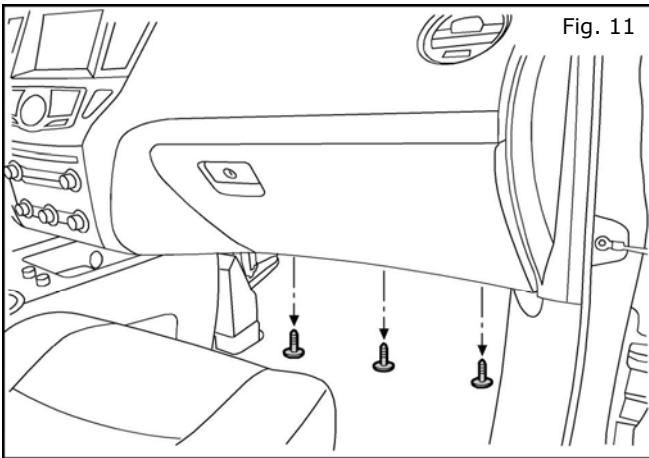
9. Route encoder wiring harness up through the center stack and out to the passenger side footwell. Secure the harness with one (1) 4" cable tie as shown.

# INSTALLATION INSTRUCTIONS - Accent Lighting Kit

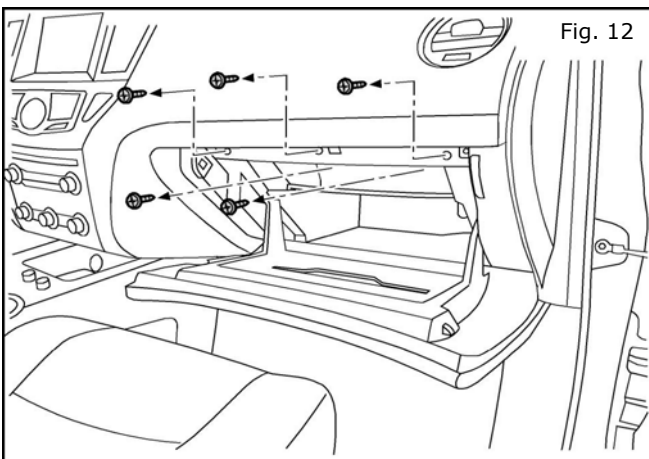
## 12. INSTALLATION



10. Carefully pry off the dash side mask by the passenger door.



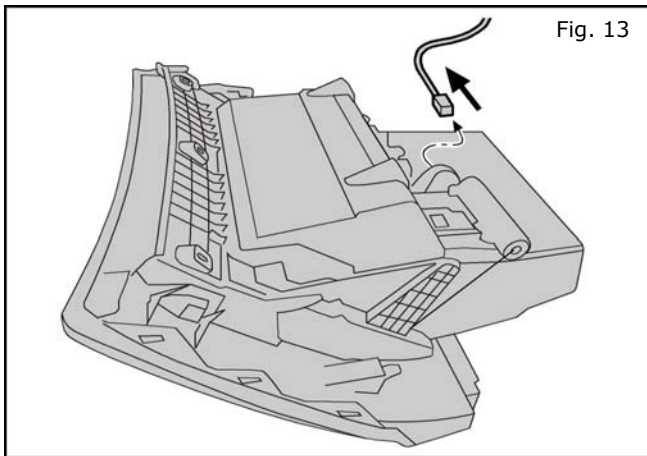
11. Remove three (3) phillips head screws from the underside of the glovebox.



12. Open the glovebox door. Remove five (5) phillips head screws from inside the glovebox compartment.

# INSTALLATION INSTRUCTIONS - Accent Lighting Kit

## 12. INSTALLATION

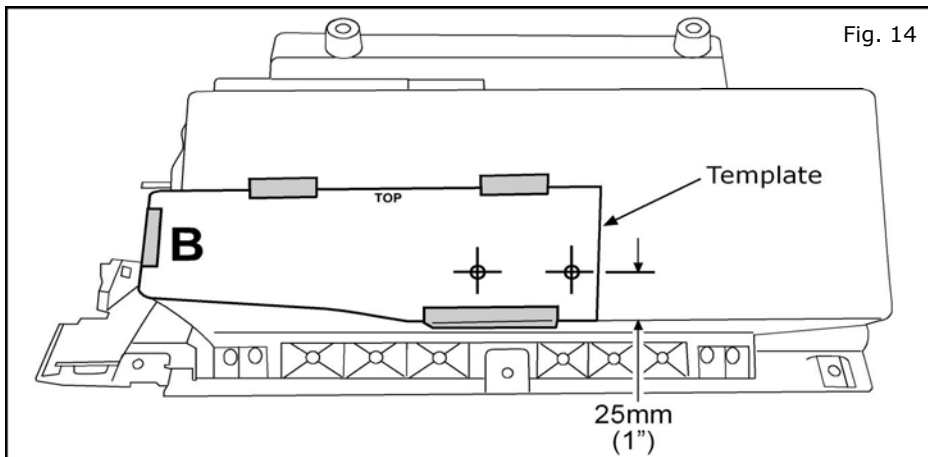


13. Carefully pull out the glovebox assembly. Carefully unplug the glovebox lamp. Fully remove the glovebox assembly and set aside.

**Note: Place glovebox assembly on a protected work surface to avoid any scratches or damage.**

14. Trim out template "B" and tape into place on back of glovebox as shown. The template should be positioned along the left edge and bottom edge with the letter "B" on the left hand side.

Mark and drill two (2) 3/16 inch holes at the locations indicated on the template. Remove the template. Clean any flashing from the hole.



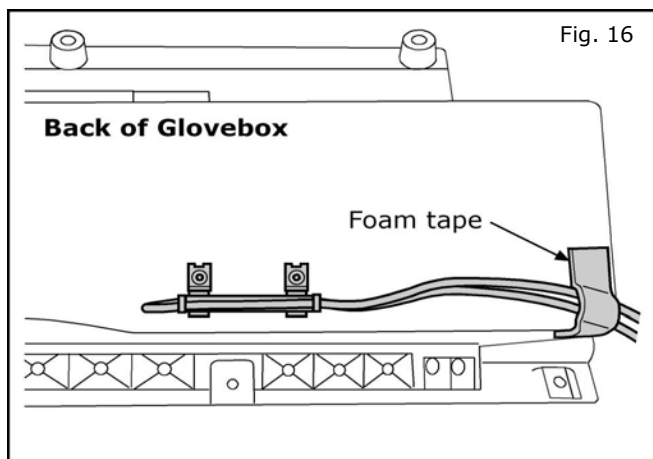
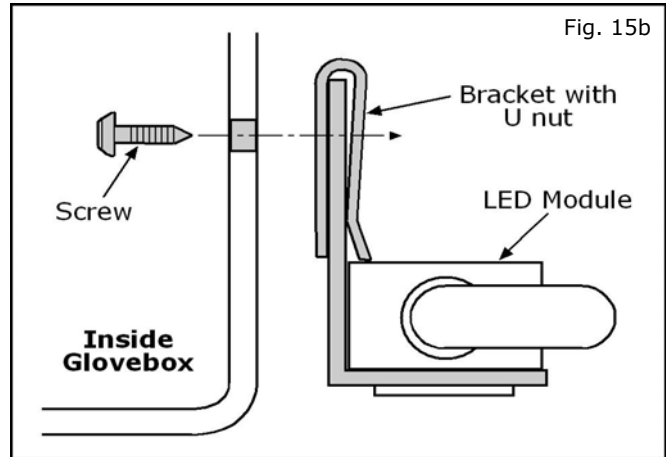
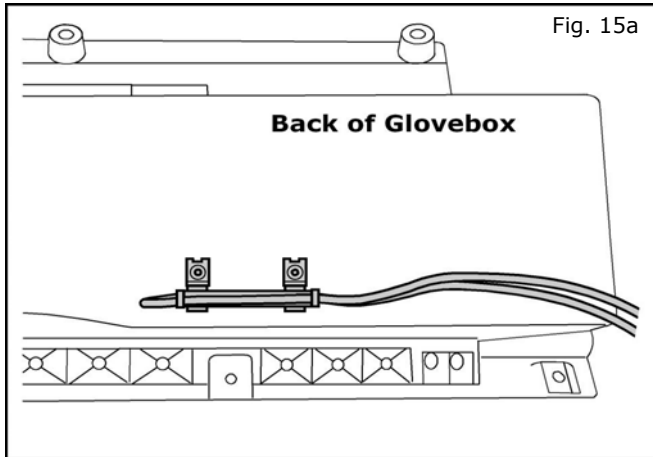
**Note: Verify that holes are located 25mm (1") from bottom edge before drilling.**



# INSTALLATION INSTRUCTIONS - Accent Lighting Kit

## 14. INSTALLATION

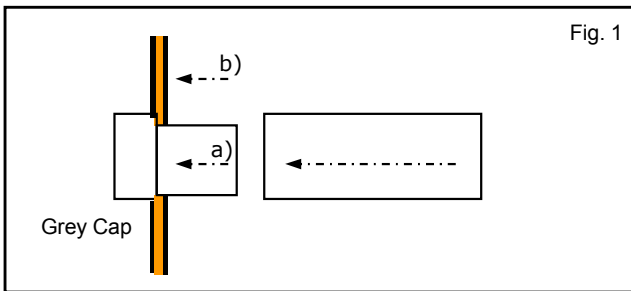
15. Using two (2) phillips screws from the inside of the glovebox cavity, securely attach the two (2) "L" brackets with U nuts to the rear of the glovebox.



16. Secure the harness the the back of the glovebox with foam tape as shown.

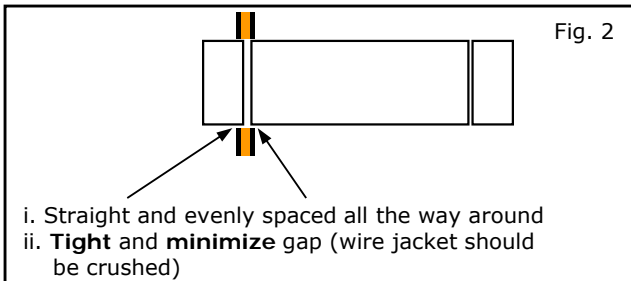
# INSTALLATION INSTRUCTIONS - Accent Lighting Kit

## 13. POSI TAP INSTRUCTIONS



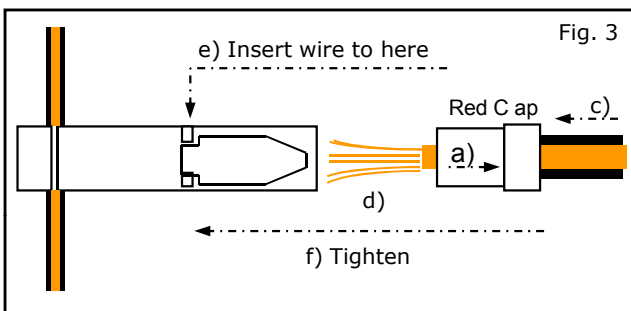
- 1) Tap vehicle wire.
  - a) Remove grey cap (slot side) from tap body.
  - b) Slide cap around vehicle wire.
  - c) Tighten the tap **TIGHT** with finger pressure.

**NOTE: Do not re-use the tap for subsequent re-installation. Figures are not to scale**

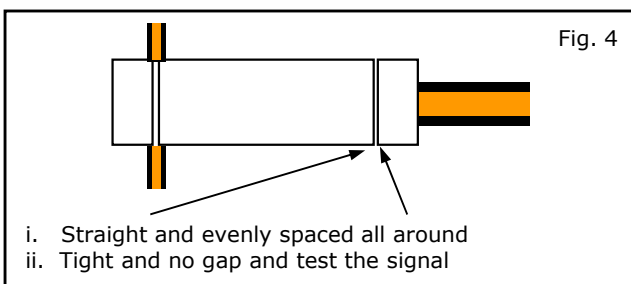


- 2) Inspect the tap to ensure correct installation.

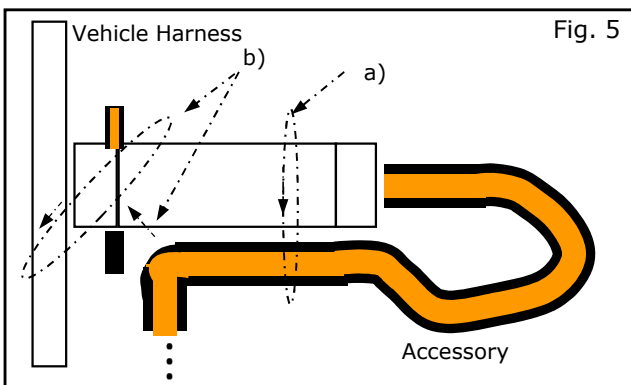
**NOTE: Avoid putting pressure on the vehicle wire and tap for the remainder of the installation.**



- 3) Inspect the tap to ensure correct installation.
  - a) Remove red cap (non-pierce) side from tap.
  - b) Remove the protective stub from the wire.
  - c) Insert wire through the non-pierce side opening.
  - d) Spread the individual strands into fan shape.
  - e) Insert wire into the tap body and ensure that it is all the way in.
  - f) Tighten the tap **TIGHT** with finger pressure.



- 4) Confirm the tapped accessory wire.
  - a) Inspect the tap to ensure correct installation.
  - b) Test the signal to ensure that it is working properly.



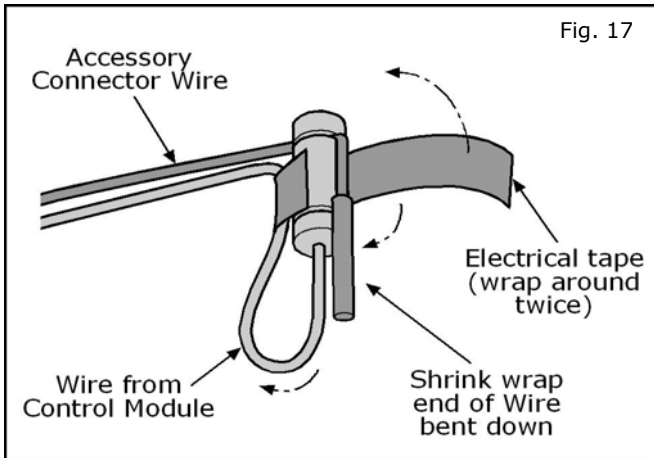
- 5) Secure the tap.
  - a) Secure the tapped wire on the non-pierce side to the body of the tap with electrical tape ( $\geq 2$  revolutions).
  - b) Secure the body to harness where vehicle wire is being tapped with electrical tape ( $\geq 2$  revolutions).

# INSTALLATION INSTRUCTIONS - Accent Lighting Kit

## 14. INSTALLATION

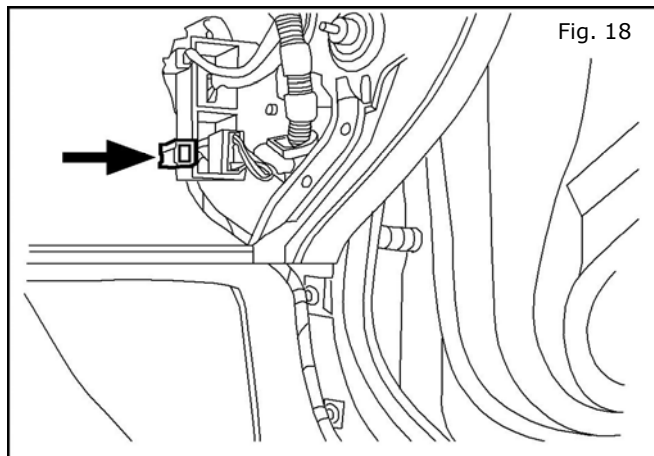
### CAUTION

- If a vehicle wire is being used by another accessory and a posi-Tap is present, tap the accessory wire NOT the vehicle wire.



17. Follow this finishing procedure on all **posi-taps**. Leave a short length of wire extended past the posi-tap and bend down as shown. Use electrical tape to secure the extra wire against the posi-tap with at least two revolutions.

**Note: Make sure that the end of the wire is completely covered by the tape.**

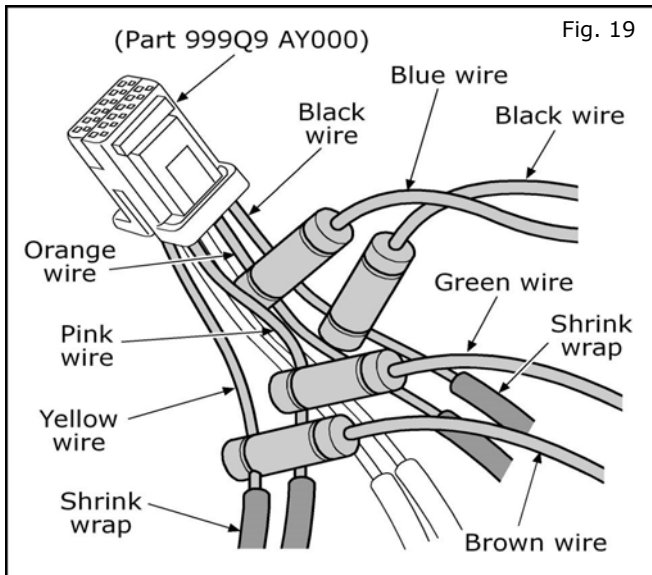


18. Locate of the **passenger side** Accessory Connector plug behind the glovebox on the right side of the footwell.

**Note: A previously installed accessory may be present. If so, carefully remove the accessory connector harness from the accessory connector plug before posi-tapping. It is recommended that all posi-tapping be completed before reattaching the accessory connector harness to the plug.**

# INSTALLATION INSTRUCTIONS - Accent Lighting Kit

## 14. INSTALLATION



19. Using a posi-tap, connect the **Black** wire from the power harness to the **Black** wire on the Accessory Connector Harness.

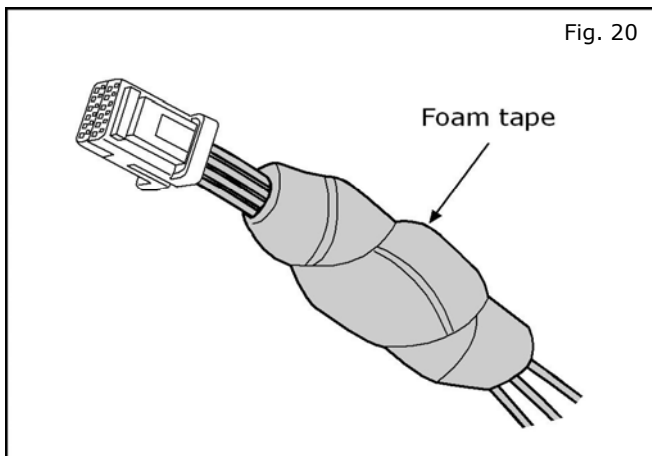
Using a posi-tap, connect the **Green** wire from the power harness to the **Pink** wire on the Accessory Connector Harness.

Using a posi-tap, connect the **Brown** wire from the power harness to the **Yellow** wire on the Accessory Connector Harness.

Using a posi-tap, connect the **Blue** wire from the power harness to the **Orange** wire on the Accessory Connector Harness.

**Note:** Be sure **NOT** to posi-tap through the shrink wrap tubing.

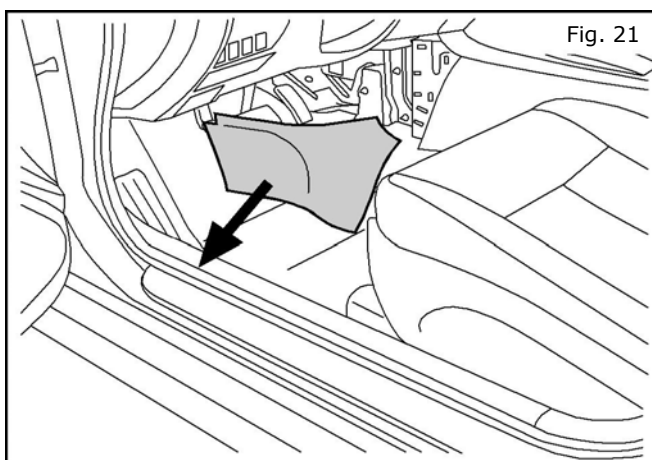
**HARNESS NOT INCLUDED IN KIT.  
REFERENCE PART NUMBER  
999Q9 AY000.**



20. Wrap the posi-taps with foam tape to prevent rattle.

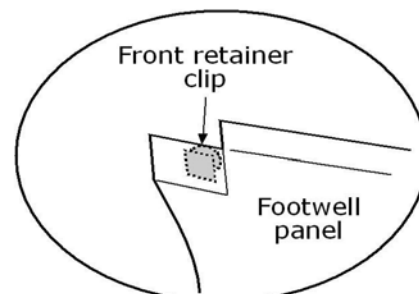
**Plug** the Accessory Connector Harness into the vehicle connector plug on the passenger side.

## DRIVER SIDE LED MODULE INSTALLATION



21. Carefully pry out center footwell panel from the driver side of the center stack.

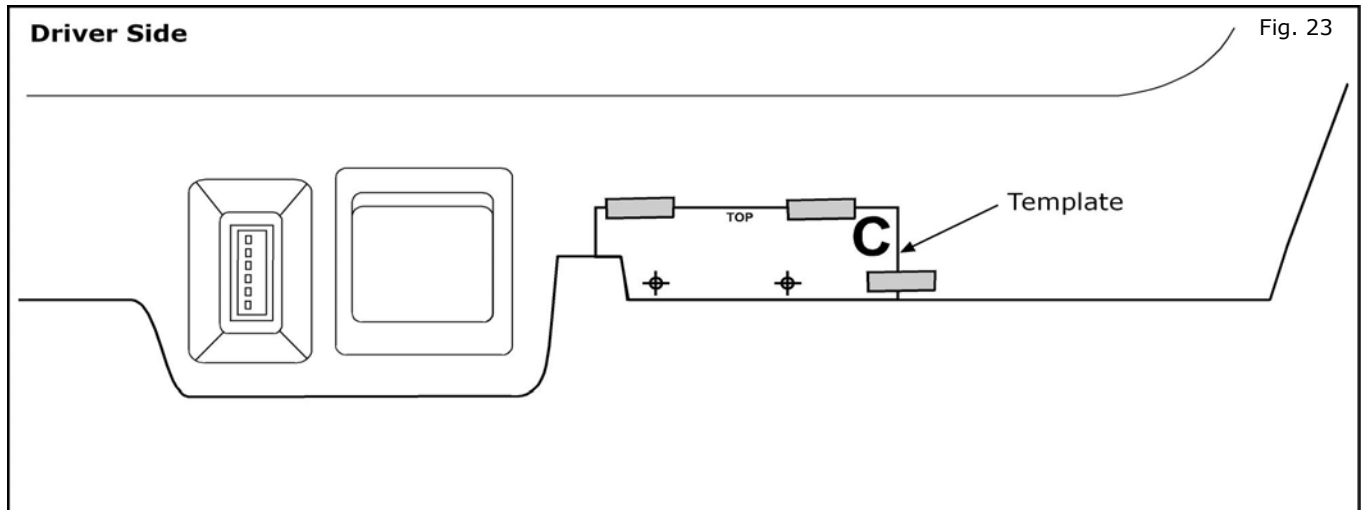
**NOTE:** Be sure the front retainer clip stays with the panel.



# INSTALLATION INSTRUCTIONS - Accent Lighting Kit

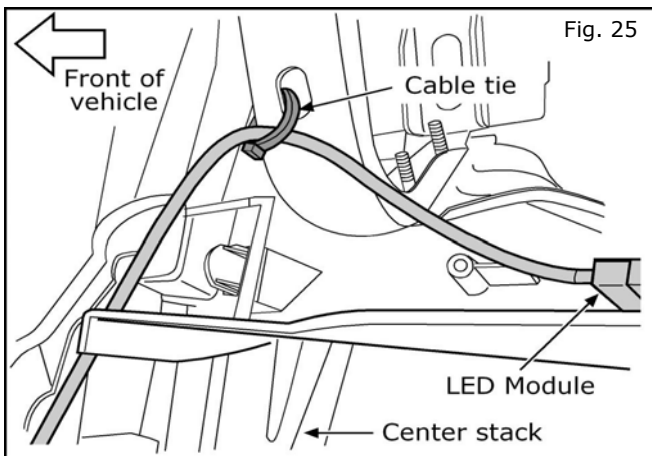
## 14. INSTALLATION

22. Feed the driver side LED module through behind the center stack to the driver side footwell.



23. Trim out template "C" and tape into place on bottom of the steering finisher as shown. The template should be positioned along the left edge and bottom edge with the letter "C" on the right hand side.

24. Mark and drill two (2) 3/16 inch holes at the locations indicated on the template. Remove the template. Clean any flashing from the hole.

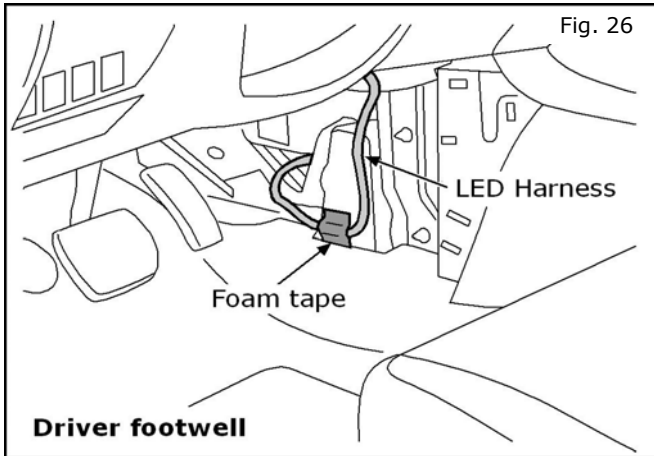


25. Route driver side harness under the dashboard towards the center stack. Secure to the knee bolster with a cable tie as shown.

**Note: The view shown here is looking up under the dash from behind, near the center stack.**

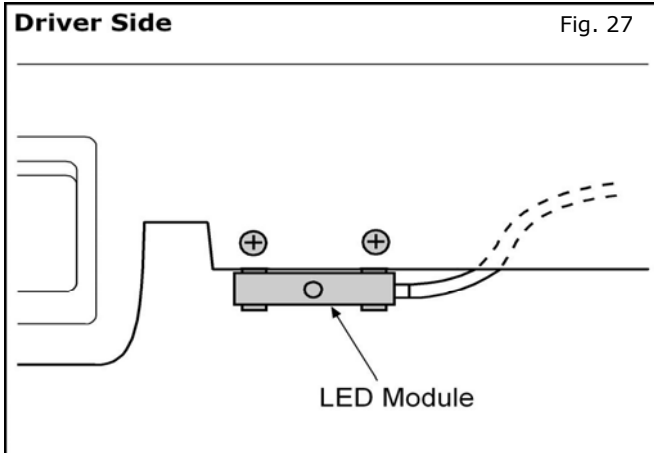
# INSTALLATION INSTRUCTIONS - Accent Lighting Kit

## 14. INSTALLATION



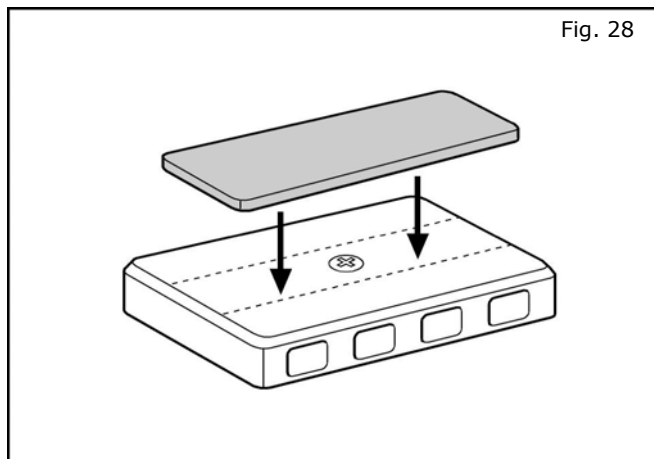
26. Route driver side harness through the center stack and out towards the passenger footwell. Secure the harness to the HVAC duct with foam tape as shown.

**Note: A section of corrugated flex tubing is included on the harness. This tubing should be positioned behind the center stack to protect the wiring from any metal edges.**



27. Place the driver side LED module in the **inside** of the panel with the LED facing **downward**. Use two (2) phillips screws from the **outside** of the panel to mount the driver side LED module to the steering finisher.

**Note: Make sure the LED is not covered by the edge of the panel.**



**Note: Attach one (1) 58mm x 82mm foam tape to the underside of the accessory control module, covering the screw in the center.**

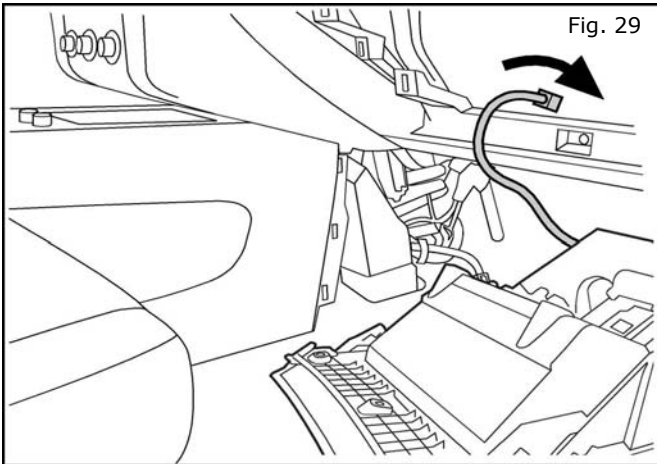
28. Place one (1) piece of foam tape over the top of the accessory controller.

It should be on the opposite side of the sticky foam tape covering the screw.

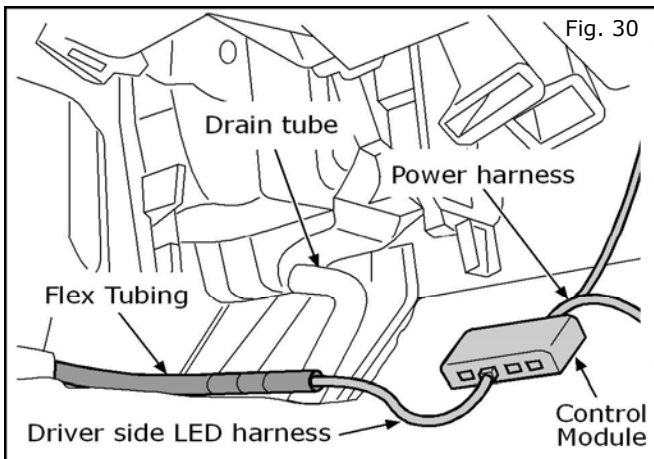
**Note: Do NOT pull cover off tape on controller at this time.**

# INSTALLATION INSTRUCTIONS - Accent Lighting Kit

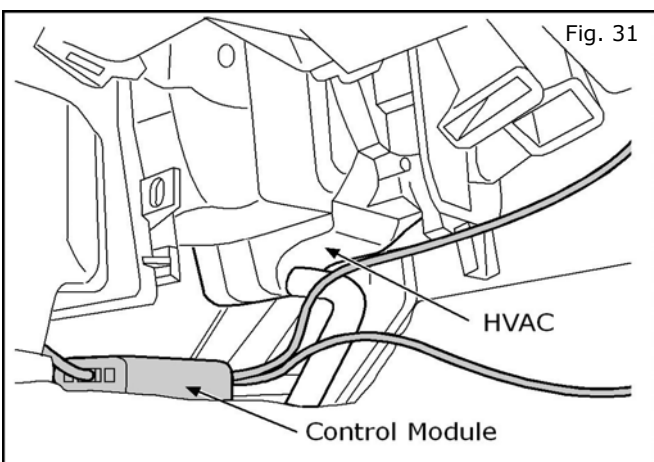
## 14. INSTALLATION



29. Place the glovebox assembly back in the passenger side footwell and feed the LED harness up through the dash opening and down towards the center stack.



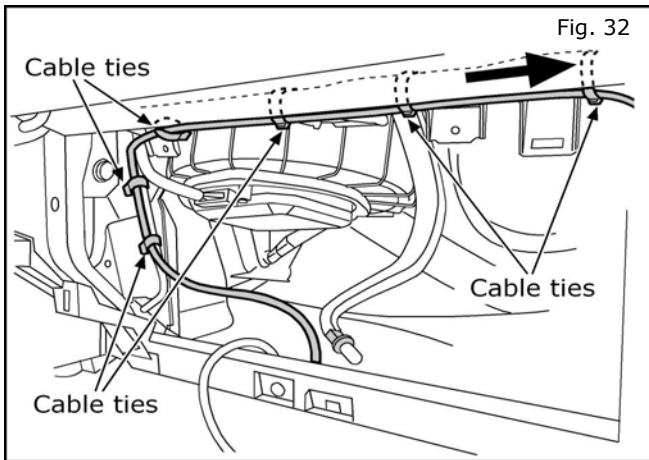
30. Route the harnesses under the center stack, making sure to pass **over** the HVAC drain tube. Plug both LED harnesses and the power harness into the control module.



31. Peel the cover off the tape on the controller. Position the controller under the center stack, making sure it is **not** directly under the HVAC. Securely place the controller on the carpet under the center stack.

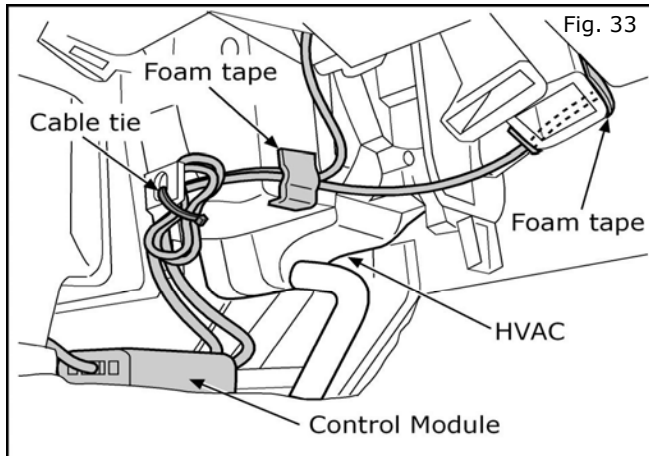
# INSTALLATION INSTRUCTIONS - Accent Lighting Kit

## 14. INSTALLATION



32. Route the power harness along the existing harness at the top of the glovebox cavity and out towards the A-pillar. Secure with cable ties as shown.

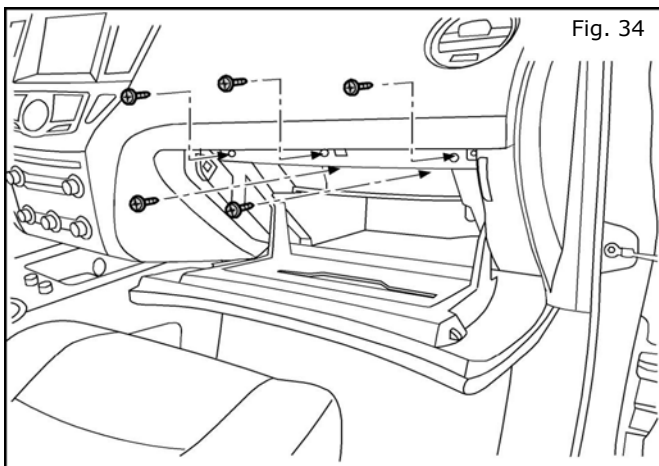
**Note: Do NOT secure the wiring to the blower motor housing in any way.**



33. **Bundle** any excess wiring and secure with a cable tie under the center stack at the bracket as shown.

**Secure** the wiring from the glovebox lamp to the underside of the vent ducting with foam tape as shown.

**Note: Be sure cables do not touch footwell panel, to prevent rattling.**

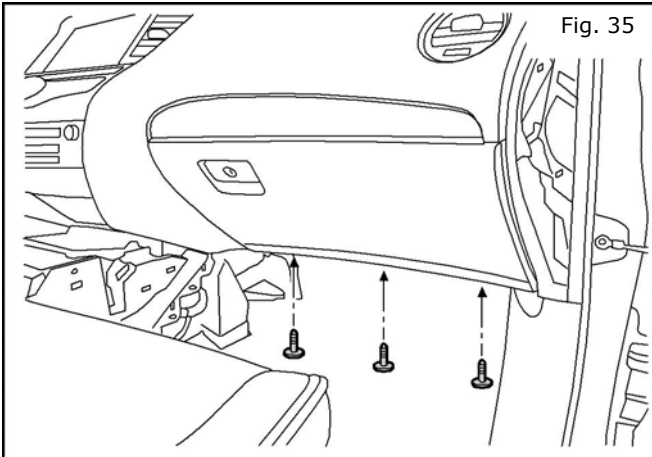


34. **Reinstall** the glovebox. **Reinstall** five (5) Phillips head screws from inside the glovebox compartment.

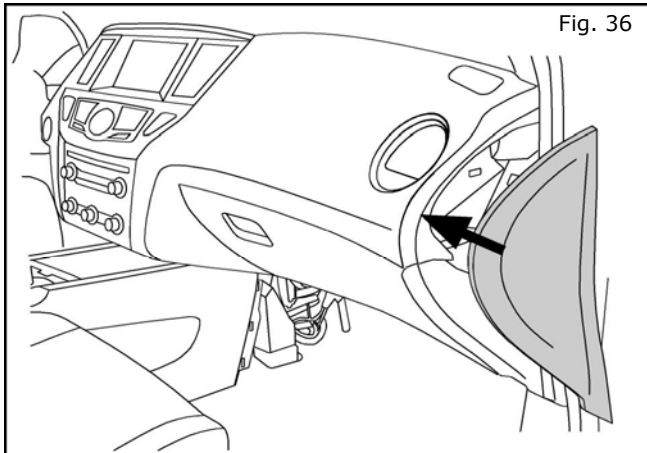


# INSTALLATION INSTRUCTIONS - Accent Lighting Kit

## 14. INSTALLATION



35. **Reinstall** three (3) phillips head screws from the underside of the glovebox.



36. **Reinstall** the dash side mask.

37. **Reinstall** the driver side footwell panel (see Fig. 27).

38. **Reinstall** the passenger side footwell panel. (see Fig. 2).

**NOTE:** Trim all cable ties. Check installation.

## INSTALLATION INSTRUCTIONS - Accent Lighting Kit

### 15. CHECK OUT

- (1) Shut all doors on the vehicle.
- (2) Wait until all interior lamps go out.
- (3) Turn on the headlamps.
- (4) Verify that both LEDS come on.
- (5) Check the trim for a proper, flush fit after re-installing the interior components.
- (6) Clean the interior of the vehicle.
- (7) Inspect the vehicle interior and exterior for damage.
- (8) Check and clear trouble codes (DTC).
- (9) If this vehicle will be returned to a dealer lot or showroom for an extended period of time, be sure the extended storage switch is placed in the "inventory" position.  
(Refer to section 9 - Vehicle Preparation)
- (10) If vehicle is NOT going into storage, reset the radio presets to the recorded settings.

**Note: When diagnosing electrical system problems, first disconnect the accessory connectors and note effect on system. Continue the investigation with the accessory connectors disconnected. Remember to reconnect the accessories when the investigation is complete.**

# INSTALLATION INSTRUCTIONS - Accent Lighting Kit

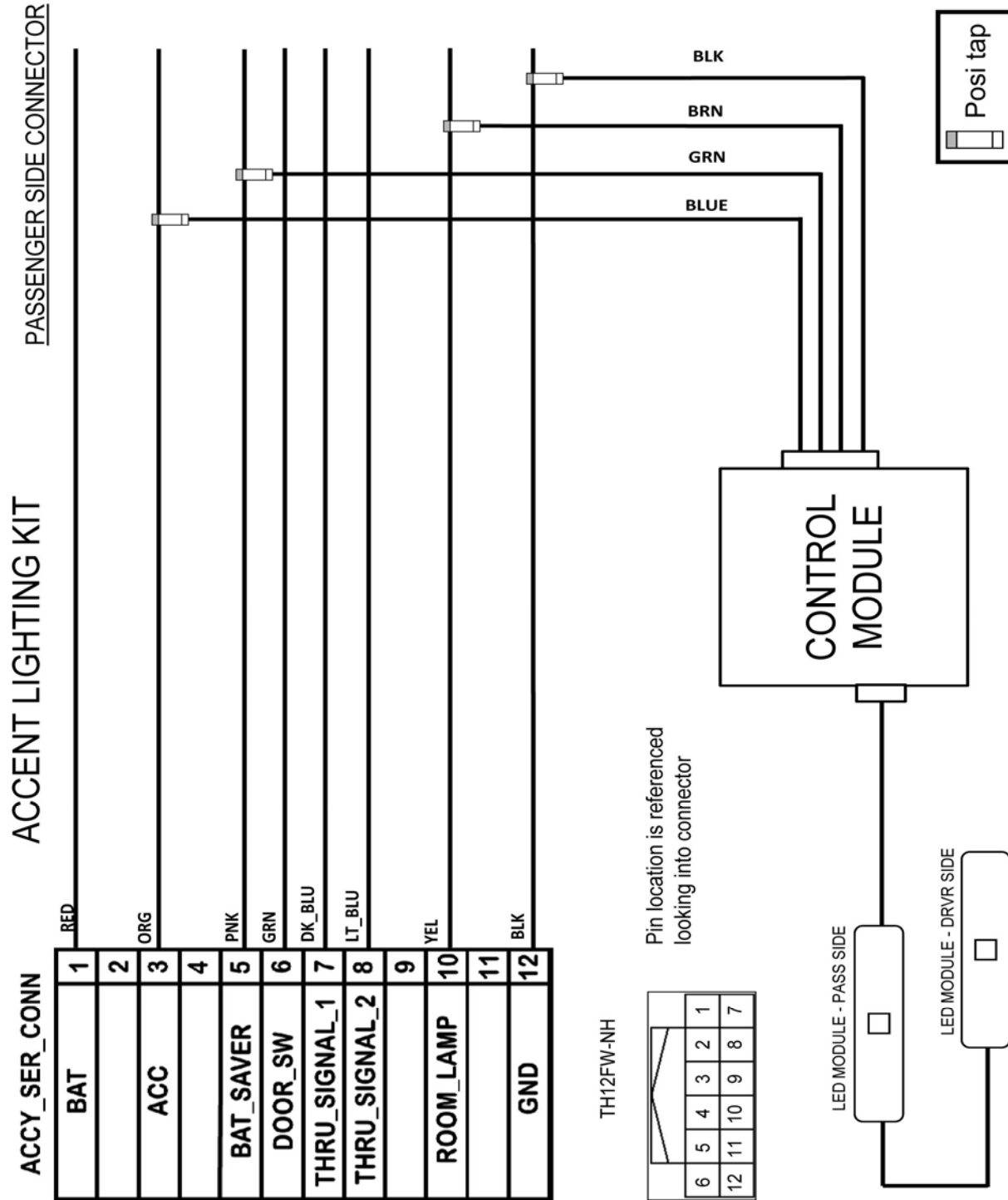
## 16. BILL OF MATERIALS

### Nissan Universal Accent Lighting Kit - 999F3 XZ000

	Parts Contained in Bag Labelled 'Installation Kit'.	Qty	Part Number
1	Control module: Single Color/Multi Intensity	1	999F3 VZ000
2	Harness Vehicle interface; 4 wire 6 way connector	1	999F3 AW050
3	LED Lamp Assembly (w/Harness)	2	999F3 UZ010
4	Encoder and harness assembly	1	999F3 AW006
5	Miscellaneous Parts Kit	1	999F3 XZ100
6	Cable ties 15" long - black	7	
7	Cable ties 4" long - black	8	
8	Grey adhesive foam 80 X 30 X 5MM - 1 sided	16	
9	Posi-tap connectors part No EX130-RR	4	
10	Pozi drive + flange head (1/2" dia) No 8 self tap screw 1/2" long-black	4	
11	Module adhesive pad - 2 sided	1	
12	U-Nut	4	
13	Control knob (25mm dia x 14mm height)	1	
14	Encoder nut - M8 x .75 (Black)S	1	
15	Alcohol preparation wipe	4	
16	II Website Location Template	1	999V2 AW000
17	Installation Instructions	0	999F3 XZ000II
18	Quick reference guide	1	999F3 AW080
19	Accessory Connector Harness (NOT INCLUDED IN KIT)	1	999Q9 AY000

# INSTALLATION INSTRUCTIONS - Accent Lighting Kit

## 17. MECHANIZATION



## INSTALLATION INSTRUCTIONS - Accent Lighting Kit

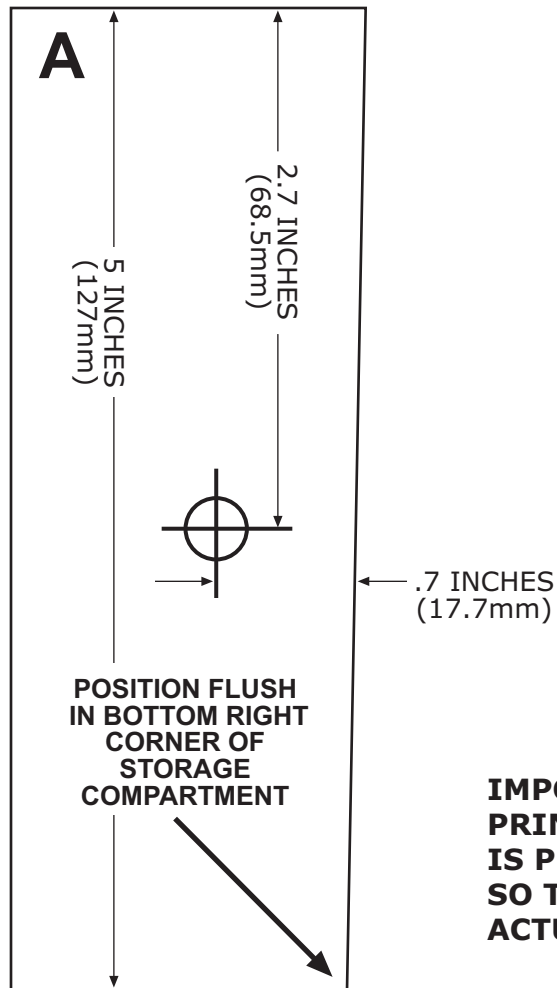
### 18. MECHANIZATION

(BACK BLANK PAGE)

# INSTALLATION INSTRUCTIONS - Accent Lighting Kit

## 18. TEMPLATE A

**SCALE**  
**1 inch**



**IMPORTANT: BE SURE  
PRINTER PAGE SETTING  
IS PROPERLY ADJUSTED  
SO TEMPLATE PRINTS AT  
ACTUAL SIZE.**

**VERIFY ACCURATE SIZING  
WITH A RULER BEFORE  
TRIMMING OUT TEMPLATE.**

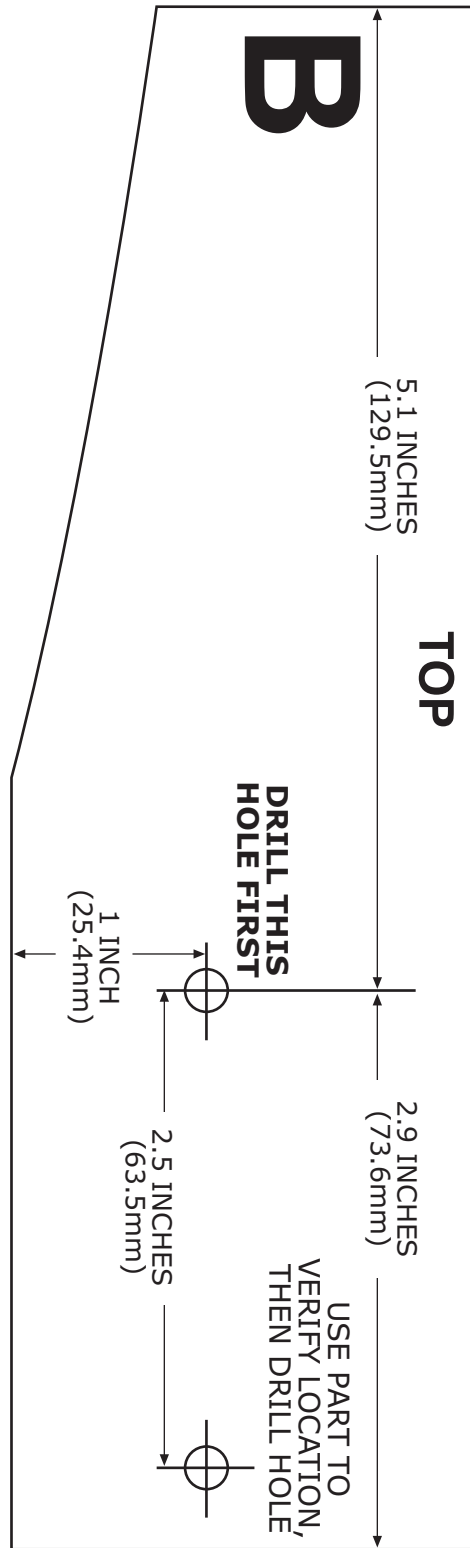
# INSTALLATION INSTRUCTIONS - Accent Lighting Kit

## 18. TEMPLATE A

(TEMPLATE BACK BLANK PAGE)

# INSTALLATION INSTRUCTIONS - Accent Lighting Kit

## 18. TEMPLATE B



**SCALE**  
**1 inch**



**IMPORTANT: BE SURE  
PRINTER PAGE SETTING  
IS PROPERLY ADJUSTED  
SO TEMPLATE PRINTS AT  
ACTUAL SIZE.**

**VERIFY ACCURATE SIZING  
WITH A RULER BEFORE  
TRIMMING OUT TEMPLATE.**



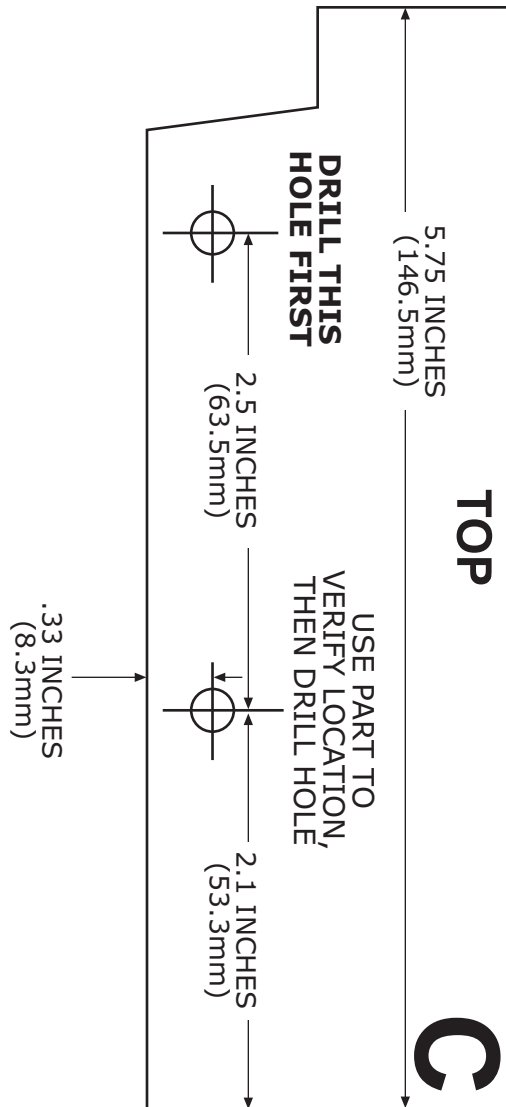
# INSTALLATION INSTRUCTIONS - Accent Lighting Kit

## 19. TEMPLATE B

(TEMPLATE BACK BLANK PAGE)

# INSTALLATION INSTRUCTIONS - Accent Lighting Kit

## 18. TEMPLATE C



**SCALE**  
**1 inch**



**IMPORTANT: BE SURE  
PRINTER PAGE SETTING  
IS PROPERLY ADJUSTED  
SO TEMPLATE PRINTS AT  
ACTUAL SIZE.**

**VERIFY ACCURATE SIZING  
WITH A RULER BEFORE  
TRIMMING OUT TEMPLATE.**

# INSTALLATION INSTRUCTIONS - Accent Lighting Kit

## 20. TEMPLATE C

(TEMPLATE BACK BLANK PAGE)